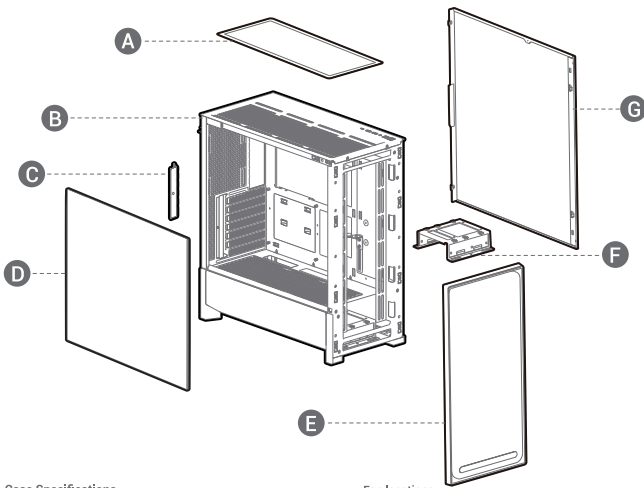


Delta C70 SERIES

CASE

Case Features



Case Specifications

Length: 458 mm Maximum CPU Cooler Height: 170mm
 Width: 218 mm Maximum GPU Length: 400mm
 Height: 473 mm Maximum Power Supply Length: 200mm

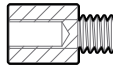
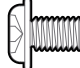
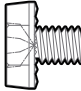
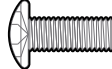
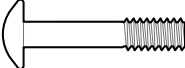




Radiator compatibility

Top: 240mm / 360mm
 Front: 240mm / 360mm
 Rear: 120mm

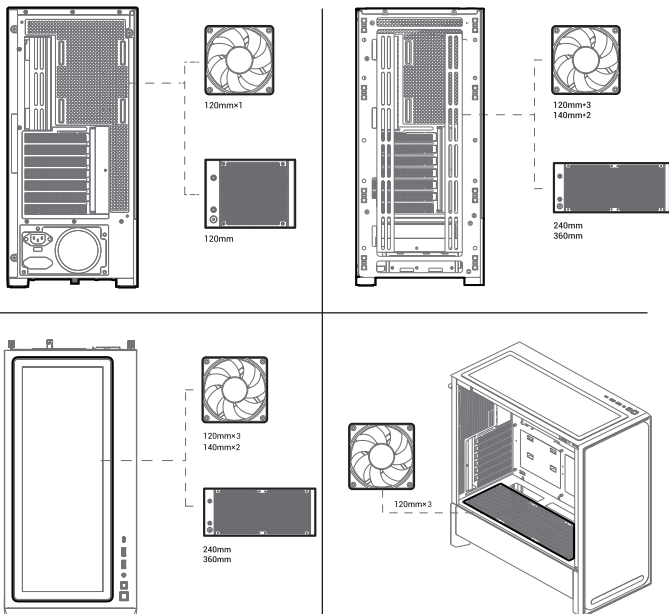
Fan Locations

Top: 120mm×3pcs / 140mm×2pcs
 Front: 120mm×3pcs/140mm×2pcs
 Rear: 120mm×1pcs
 Power supply compartment: 120mm×3pcs

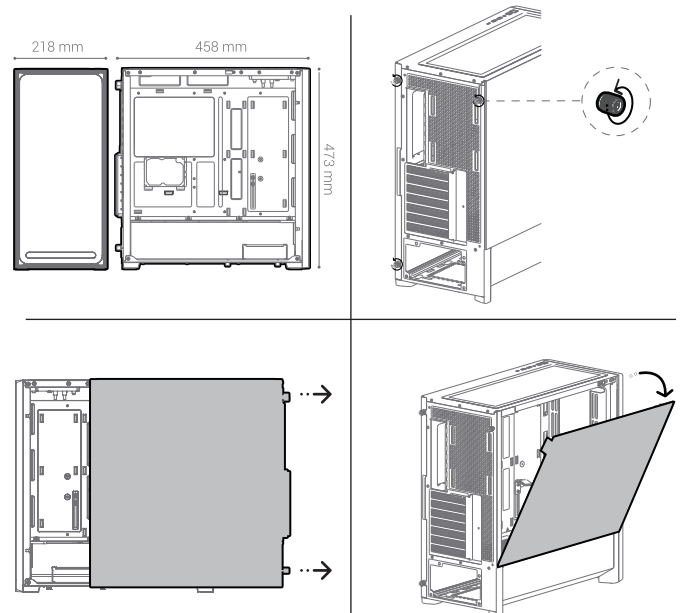
Accessory Kit Contents

	H		I
x1		x15	
	J		K
x7		x8	
	L		M
x12		x1	
	N		O
x2		x1	
	P		
		x6	

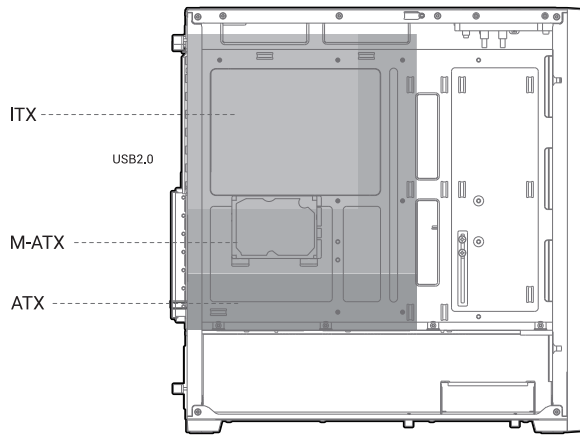
Specifications



Removing the Tempered Glass & Side Panel

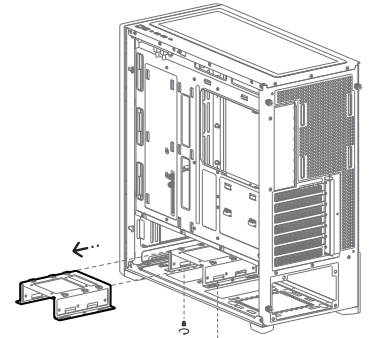
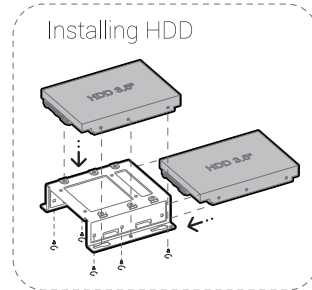
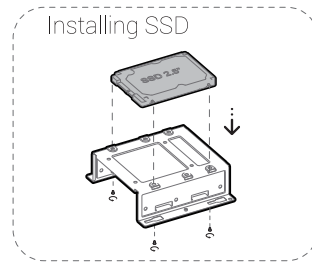


Installing the Motherboard



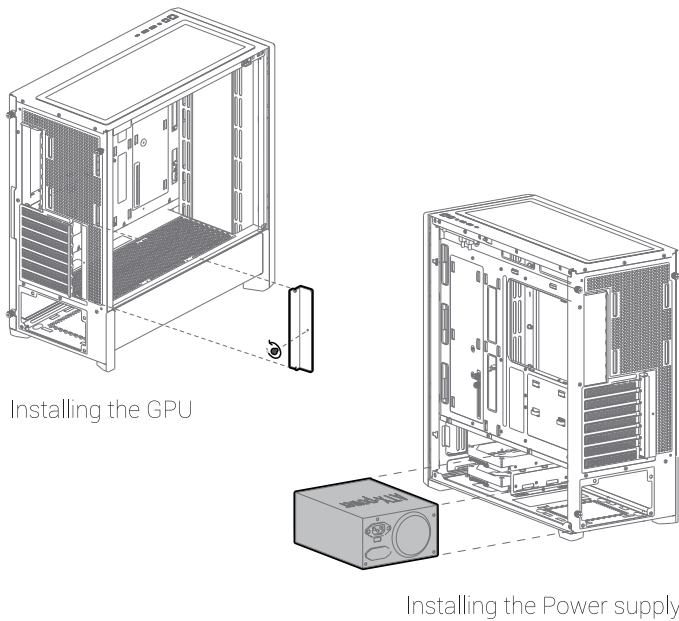
3

Installing HDD & SSD



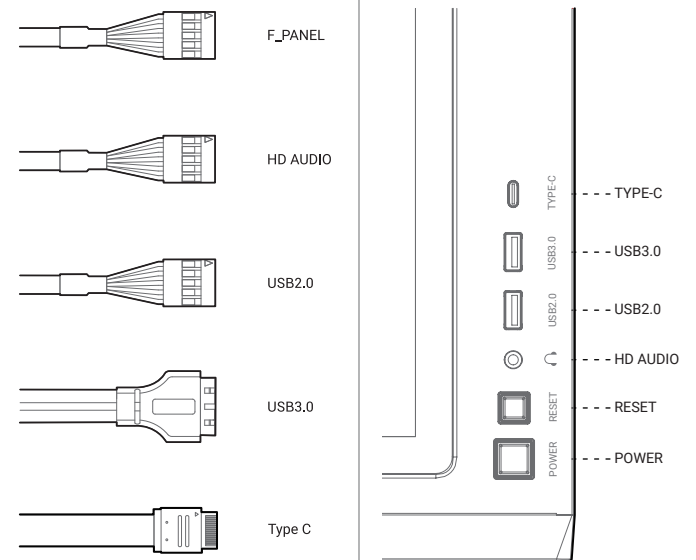
4

Installing the GPU & Power Supply



5

I/O Panel Introduction & Fan Connect



6

- EN** For more information, please check our website at: www.ocypus.com
- DE** Für weitere Informationen besuchen Sie bitte unsere Website unter: www.ocypus.com
- FR** Pour plus d'informations, merci de visiter notre site internet: www.ocypus.com
- ES** Para más información, por favor, visite nuestra página en: www.ocypus.com
- IT** Per ulteriori informazioni, visitate il nostro sito web: www.ocypus.com
- PT** Para mais informação, visita o nosso website em: www.ocypus.com
- CS** Další informace najdete na našich webových stránkách: www.ocypus.com
- SV** För mer information, gå till vår hemsida på: www.ocypus.com
- PL** Więcej informacji można znaleźć na naszej stronie internetowej: www.ocypus.com
- TR** Daha Fazla bilgi için, lütfen websitemizi ziyaret ediniz: www.ocypus.com
- RU** Больше информации на сайте: www.ocypus.com
- UK** Щоб отримати додаткову інформацію, перегляньте наш веб-сайт: www.ocypus.com
- KK** Көбірек ақпарат алу үшін біздің вебсайтымызға кіріңіз: www.ocypus.com
- JA** 詳細については、以下URL先の公式WEBサイトをご確認ください: www.ocypus.com
- KO** 자세한 내용은 www.ocypus.com 에서 확인하실 수 있습니다
- AR** للمزيد من المعلومات، يرجى زيارة موقعنا على www.ocypus.com
- TH** สำหรับข้อมูลเพิ่มเติมโปรดดูที่เว็บไซต์: www.ocypus.com
- VI** Để biết thêm chi tiết, vui lòng kiểm tra tại website: www.ocypus.com
- ZH** 如需要更多信息, 请浏览网站: www.ocypus.com
- ZH** 如需要更多信息, 請瀏覽網站: www.ocypus.com

Beijing Ocypus Technology Co., Ltd.
Room 407-408, Building 1, No. 39 Linfeng Second Road, Haidian District,
Beijing 100095, China

© 2026 Beijing Ocypus Technology Co., Ltd. All rights reserved.
"Ocypus™", "Осүпус™" and other commercial identities are legitimate registered
trademarks and commercial identities of the trademarks owner and its affiliates in China
and other countries or regions.
Pictures on this package are for reference only, please refer to the actual product.